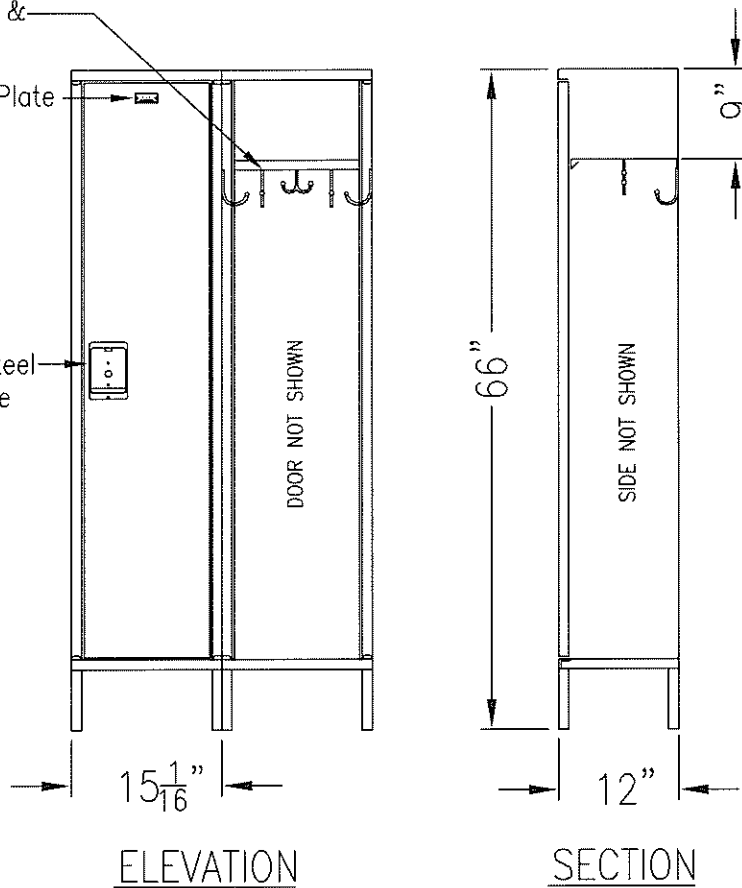


# Durable Plus Single Tier Locker 66" High

- (1) DBL Prong Ceiling Hook &
- (4) SGL Prong Wall Hooks

Aluminum No. Plate

20GA Stainless Steel  
Recessed Handle



TYPICAL FOR 15" & 18" WIDE  
TYPICAL FOR 12" & 15" DEEP  
PLEASE ALLOW  $\frac{1}{16}$ " GROWTH PER FRAME

## Standard Construction—Basis Of Design: (If A Change In Gauge Thickness Is Required Pricing Is Available Upon Request)

Top : 24 Gauge	Door : 14 Gauge
Back : 24 Gauge	Door Frame : 16 Gauge
Side : 24 Gauge	Shelf : 24 Gauge
Bottom : 16 Gauge	

### Door Ventilation Options:

- 6" Louvers, (6) @ Top And (6) @ Bottom
- 5/8" x 1-1/8" High Rectangular Perforations
- 5/8" x 1/4" High Mini Louvers
- Solid
- Sound Dampening Panel

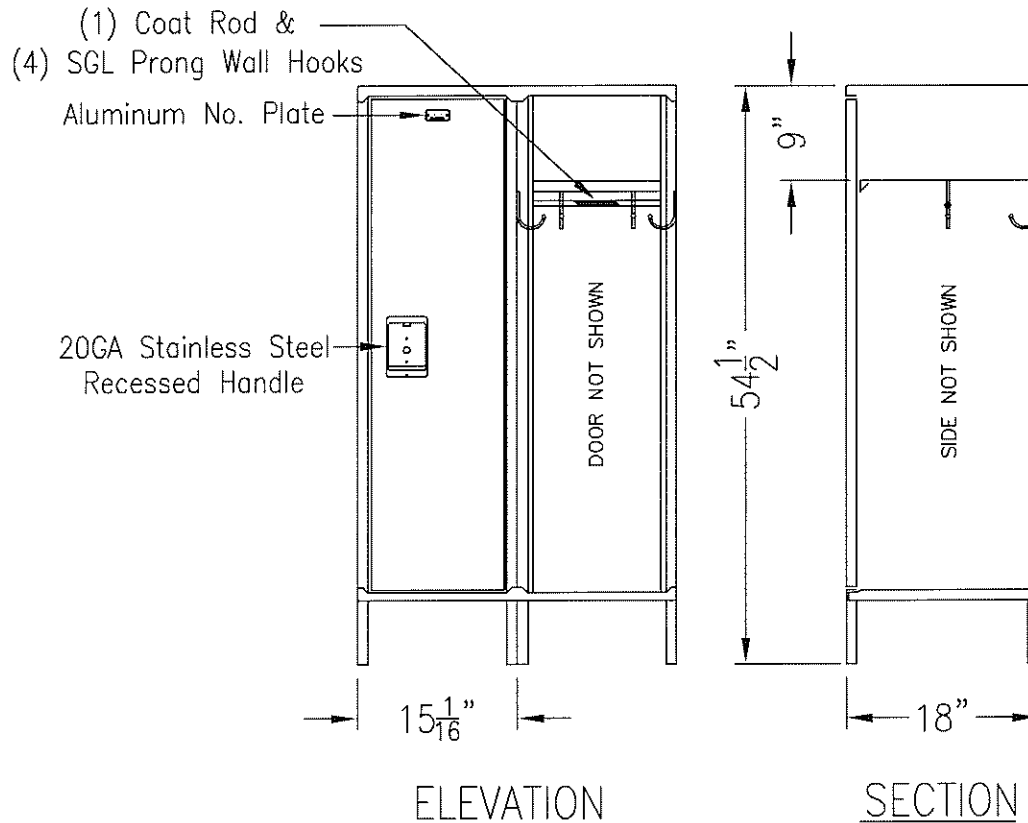
### Door Handle Options:

- 20 Gauge Recessed Handle (MPL)
- 20 Gauge Recessed Handle (SPL)

### Locker Accessory Options:

- 24 Gauge Individual Slope Tops
- 4" Zee Base
- 18 Gauge Continuous Slope Hoods
- Base By Other
- 6" Legs

# Durable Plus Single Tier Locker 54-1/2" High



TYPICAL FOR 15" & 18" WIDE  
TYPICAL FOR 18", 21" & 24" DEEP  
PLEASE ALLOW 1/16" GROWTH PER FRAME

## Standard Construction—Basis Of Design:

(If A Change in Gauge Thickness Is Required Pricing Is Available Upon Request)

Top : 24 Gauge	Door : 14 Gauge
Back : 24 Gauge	Door Frame : 16 Gauge
Side : 24 Gauge	Shelf : 24 Gauge
Bottom : 16 Gauge	

## Door Ventilation Options:

- 6" Louvers, (6) @ Top And (6) @ Bottom
- 5/8" x 1-1/8" High Rectangular Perforations
- 5/8" x 1/4" High Mini Louvers
- Solid
- Sound Dampening Panel

## Door Handle Options:

- 20 Gauge Recessed Handle (MPL)
- 20 Gauge Recessed Handle (SPL)

## Locker Accessory Options:

- 24 Gauge Individual Slope Tops
- 4" Zee Base
- 18 Gauge Continuous Slope Hoods
- Base By Other
- 6" Legs

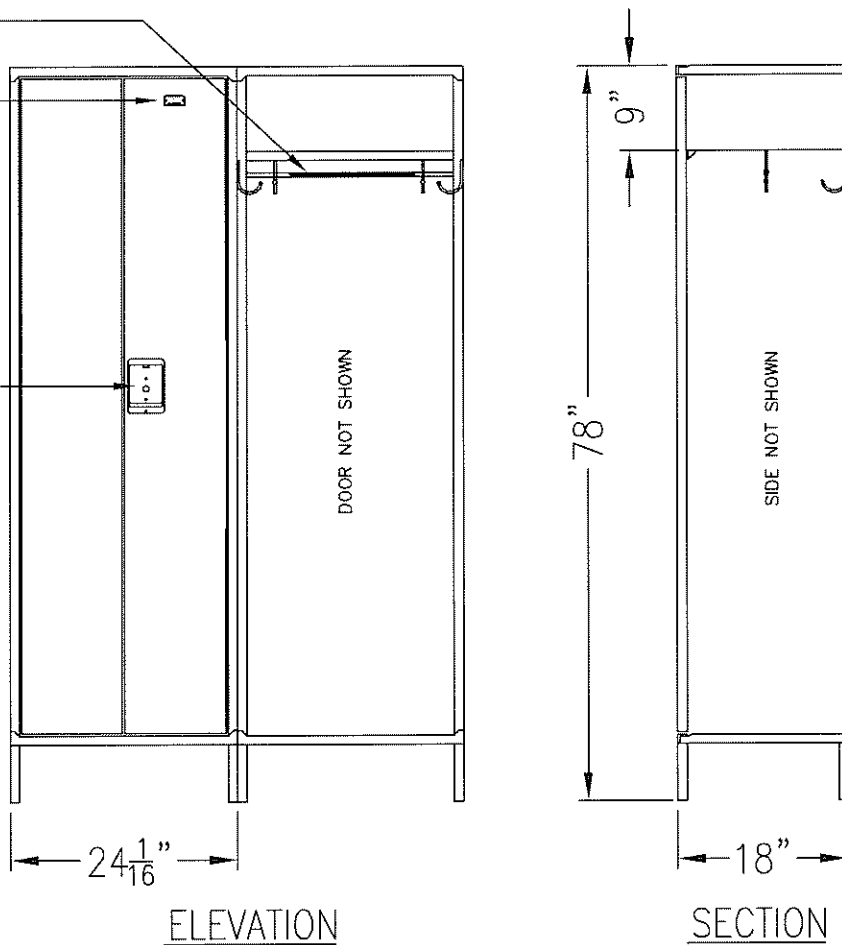
This Drawing Shows A Standard WEC Product. All Drawings  
Are Copyright Protected By WEC Manufacturing. 07/13/11



# Durable Plus SGL Tier Locker W/ Double Doors 78" High

(1) Coat Rod & (4)  
SGL Prong Wall Hooks  
Aluminum No. Plate

20GA Stainless Steel  
Recessed Handle



ELEVATION

SECTION

24" WIDE  
TYPICAL FOR 18", 21" & 24" DEEP  
PLEASE ALLOW  $\frac{1}{16}$ " GROWTH PER FRAME

## Standard Construction—Basis Of Design: (If A Change In Gauge Thickness Is Required Pricing Is Available Upon Request)

Top : 24 Gauge	Door : 14 Gauge
Back : 24 Gauge	Door Frame : 16 Gauge
Side : 24 Gauge	Shelf : 24 Gauge
Bottom : 16 Gauge	

## Door Ventilation Options:

- 6" Louvers, (6) @ Top And (6) @ Bottom
- 5/8" x 1-1/8" High Rectangular Perforations
- 5/8" x 1/4" High Mini Louvers
- Solid
- Sound Dampening Panel

## Door Handle Options:

- 20 Gauge Recessed Handle (MPL)
- 20 Gauge Recessed Handle (SPL)

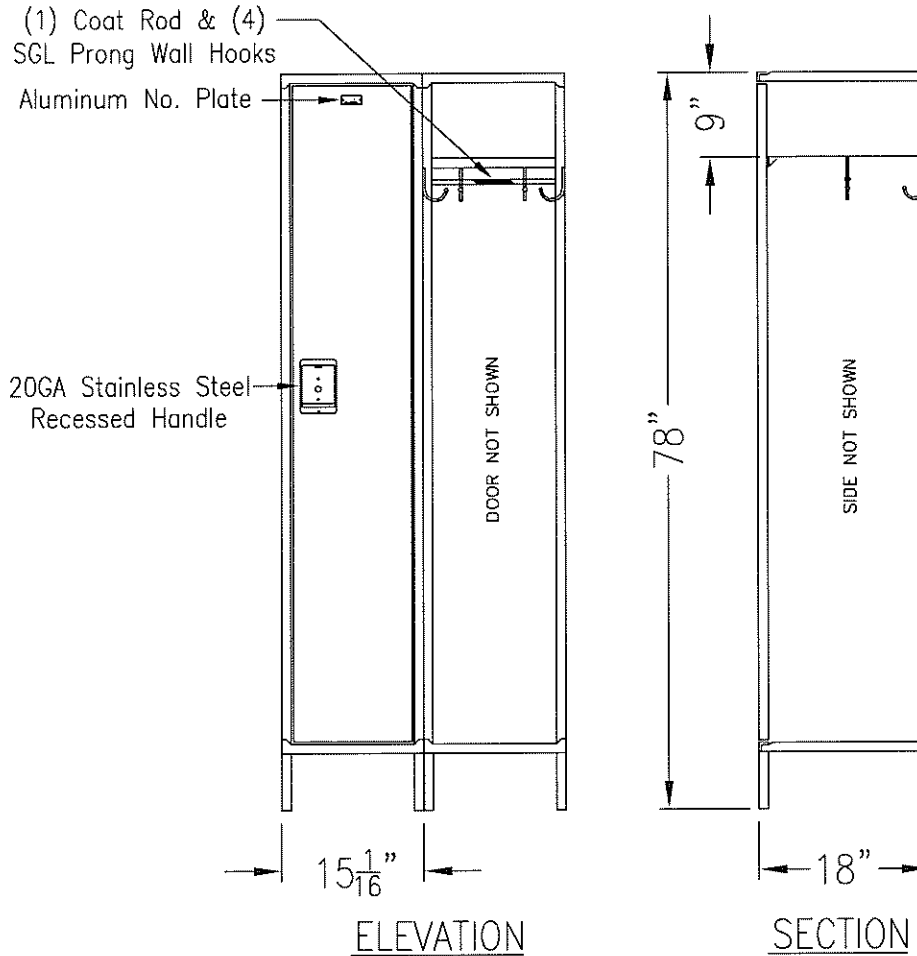
## Locker Accessory Options:

- 24 Gauge Individual Slope Tops
- 4" Zee Base
- 18 Gauge Continuous Slope Hoods
- Base By Other
- 6" Legs

This Drawing Shows A Standard WEC Product. All Drawings  
Are Copyright Protected By WEC Manufacturing. 07/13/11



# Durable Plus Single Tier Locker 78" High



TYPICAL FOR 15" & 18" WIDE  
TYPICAL FOR 18", 21 & 24" DEEP  
PLEASE ALLOW <sup>1</sup>/<sub>16</sub>" GROWTH PER FRAME

## Standard Construction—Basis Of Design:

(If A Change In Gauge Thickness Is Required Pricing Is Available Upon Request)

Top : 24 Gauge	Door : 14 Gauge
Back : 24 Gauge	Door Frame : 16 Gauge
Side : 24 Gauge	Shelf : 24 Gauge
Bottom : 16 Gauge	

## Door Ventilation Options:

- 6" Louvers, (6) @ Top And (6) @ Bottom
- 5/8" x 1-1/8" High Rectangular Perforations
- 5/8" x 1/4" High Mini Louvers
- Solid
- Sound Dampening Panel

## Door Handle Options:

- 20 Gauge Recessed Handle (MPL)
- 20 Gauge Recessed Handle (SPL)

## Locker Accessory Options:

- 24 Gauge Individual Slope Tops
- 4" Zee Base
- 18 Gauge Continuous Slope Hoods
- Base By Other
- 6" Legs

This Drawing Shows A Standard WEC Product. All Drawings Are Copyright Protected By WEC Manufacturing. 07/13/11

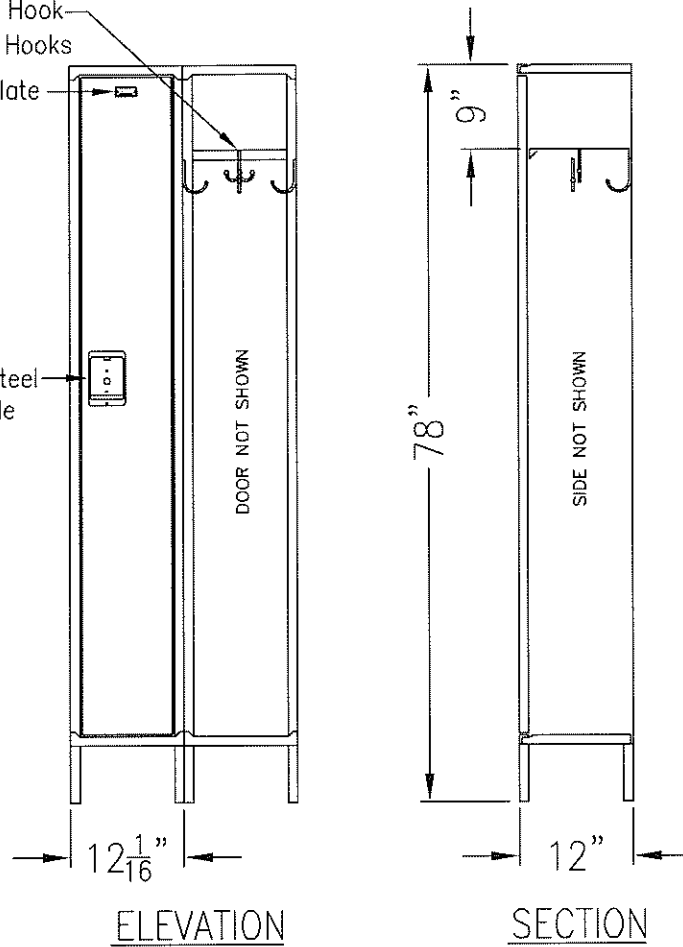


# Durable Plus Single Tier Locker 78" High

(1)DBL Prong Ceiling Hook  
& (3)SGL Prong Wall Hooks

Aluminum No. Plate

20GA Stainless Steel  
Recessed Handle



## Standard Construction—Basis Of Design:

(If A Change In Gauge Thickness Is Required Pricing Is Available Upon Request)

Top : 24 Gauge	Door : 14 Gauge
Back : 24 Gauge	Door Frame : 16 Gauge
Side : 24 Gauge	Shelf : 24 Gauge
Bottom : 16 Gauge	

## Door Ventilation Options:

- 6" Louvers, (6) @ Top And (6) @ Bottom
- 5/8" x 1-1/8" High Rectangular Perforations
- 5/8" x 1/4" High Mini Louvers
- Solid
- Sound Dampening Panel

## Door Handle Options:

- 20 Gauge Recessed Handle (MPL)
- 20 Gauge Recessed Handle (SPL)

## Locker Accessory Options:

- 24 Gauge Individual Slope Tops
- 4" Zee Base
- 18 Gauge Continuous Slope Hoods
- Base By Other
- 6" Legs

TYPICAL FOR 9" & 12" WIDE  
TYPICAL FOR 12" & 15" DEEP  
PLEASE ALLOW 1/16" GROWTH PER FRAME

This Drawing Shows A Standard WEC Product. All Drawings  
Are Copyright Protected By WEC Manufacturing. 07/13/11

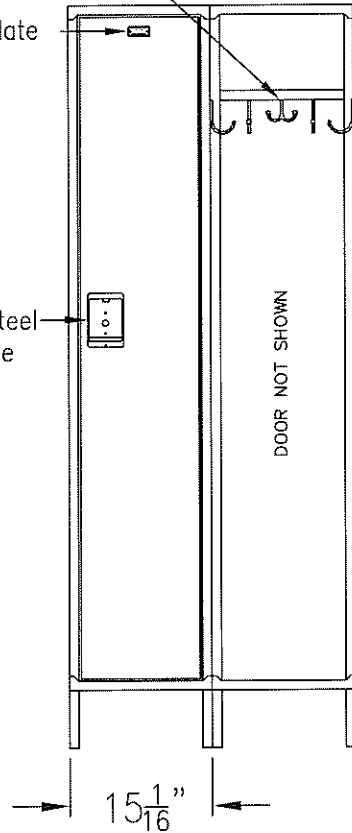


# Durable Plus Single Tier Locker 78" High

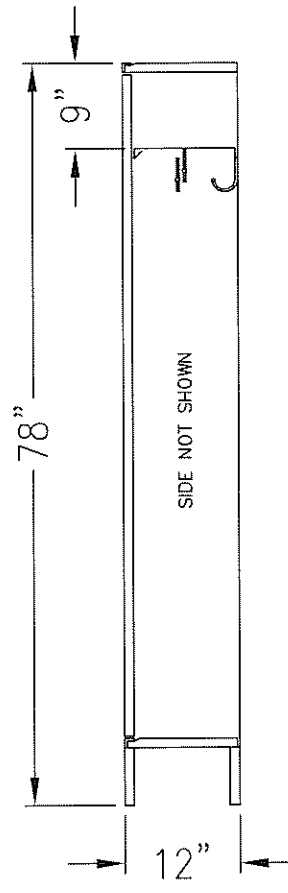
(1)DBL Prong Ceiling Hook  
& (4)SGL Prong Wall Hooks

Aluminum No. Plate

20GA Stainless Steel  
Recessed Handle



ELEVATION



SECTION

TYPICAL FOR 15" & 18" WIDE  
TYPICAL FOR 12" & 15" DEEP  
PLEASE ALLOW  $\frac{1}{16}$ " GROWTH PER FRAME

## Standard Construction—Basis Of Design:

(If A Change In Gauge Thickness Is Required Pricing Is Available Upon Request)

Top : 24 Gauge	Door : 14 Gauge
Back : 24 Gauge	Door Frame : 16 Gauge
Side : 24 Gauge	Shelf : 24 Gauge
Bottom : 16 Gauge	

## Door Ventilation Options:

- 6" Louvers, (6) @ Top And (6) @ Bottom
- 5/8" x 1-1/8" High Rectangular Perforations
- 5/8" x 1/4" High Mini Louvers
- Solid
- Sound Dampening Panel

## Door Handle Options:

- 20 Gauge Recessed Handle (MPL)
- 20 Gauge Recessed Handle (SPL)

## Locker Accessory Options:

- 24 Gauge Individual Slope Tops
- 4" Zee Base
- 18 Gauge Continuous Slope Hoods
- Base By Other
- 6" Legs

This Drawing Shows A Standard WEC Product. All Drawings  
Are Copyright Protected By WEC Manufacturing. 07/13/11

WEC

MANUFACTURING

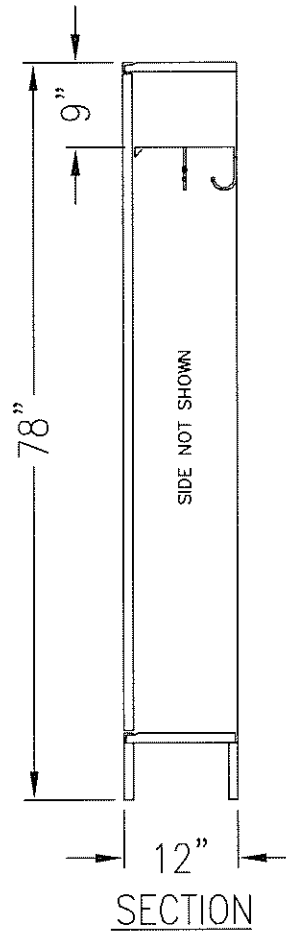
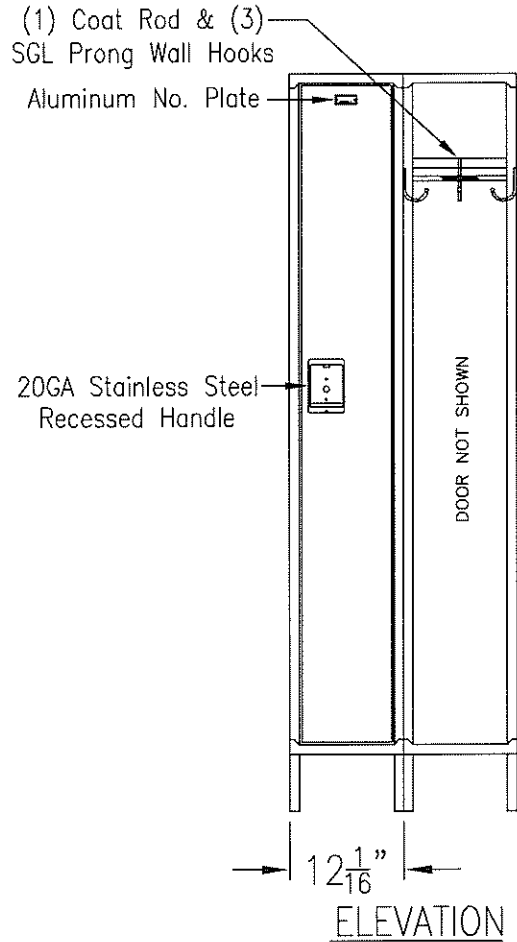
Phone: 901-367-3922

Fax: 901-367-3923

Email: sales@itswec.com

www.itswec.com

# Durable Plus Single Tier Locker 78" High



## Standard Construction—Basis Of Design:

(If A Change In Gauge Thickness Is Required Pricing Is Available Upon Request)

Top : 24 Gauge	Door : 14 Gauge
Back : 24 Gauge	Door Frame : 16 Gauge
Side : 24 Gauge	Shelf : 24 Gauge
Bottom : 16 Gauge	

## Door Ventilation Options:

- 6" Louvers, (6) @ Top And (6) @ Bottom
- 5/8" x 1-1/8" High Rectangular Perforations
- 5/8" x 1/4" High Mini Louvers
- Solid
- Sound Dampening Panel

## Door Handle Options:

- 20 Gauge Recessed Handle (MPL)
- 20 Gauge Recessed Handle (SPL)

## Locker Accessory Options:

- 24 Gauge Individual Slope Tops
- 4" Zee Base
- 18 Gauge Continuous Slope Hoods
- Base By Other
- 6" Legs

TYPICAL FOR 9" & 12" WIDE  
TYPICAL FOR 18", 21" & 24" DEEP  
PLEASE ALLOW 1/16" GROWTH PER FRAME

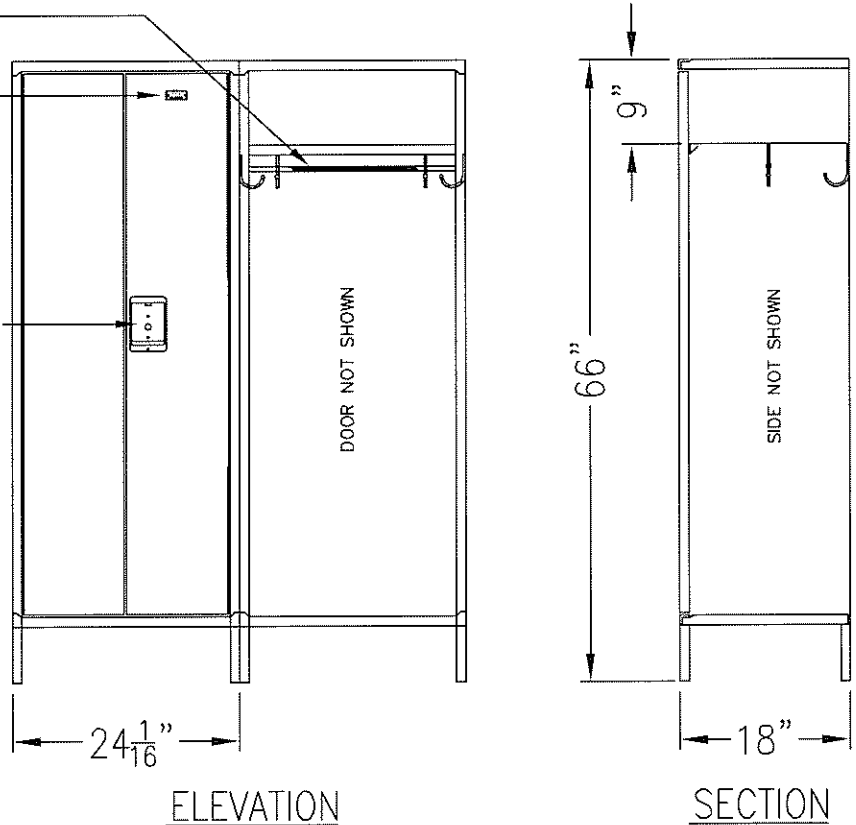
This Drawing Shows A Standard WEC Product. All Drawings Are Copyright Protected By WEC Manufacturing. 07/13/11



# Durable Plus SGL Tier Locker W/ Double Doors 66" High

(1) Coat Rod & (4)  
SGL Prong Wall Hooks  
Aluminum No. Plate

20GA Stainless Steel  
Recessed Handle



24" WIDE  
TYPICAL FOR 18", 21" & 24" DEEP  
PLEASE ALLOW  $\frac{1}{16}$ " GROWTH PER FRAME

### Standard Construction—Basis Of Design:

(If A Change In Gauge Thickness Is Required Pricing Is Available Upon Request)

- |                   |                       |
|-------------------|-----------------------|
| Top : 24 Gauge    | Door : 14 Gauge       |
| Back : 24 Gauge   | Door Frame : 16 Gauge |
| Side : 24 Gauge   | Shelf : 24 Gauge      |
| Bottom : 16 Gauge |                       |

### Door Ventilation Options:

- 6" Louvers, (6) @ Top And (6) @ Bottom
- 5/8" x 1-1/8" High Rectangular Perforations
- 5/8" x 1/4" High Mini Louvers
- Solid
- Sound Dampening Panel

### Door Handle Options:

- 20 Gauge Recessed Handle (MPL)
- 20 Gauge Recessed Handle (SPL)

### Locker Accessory Options:

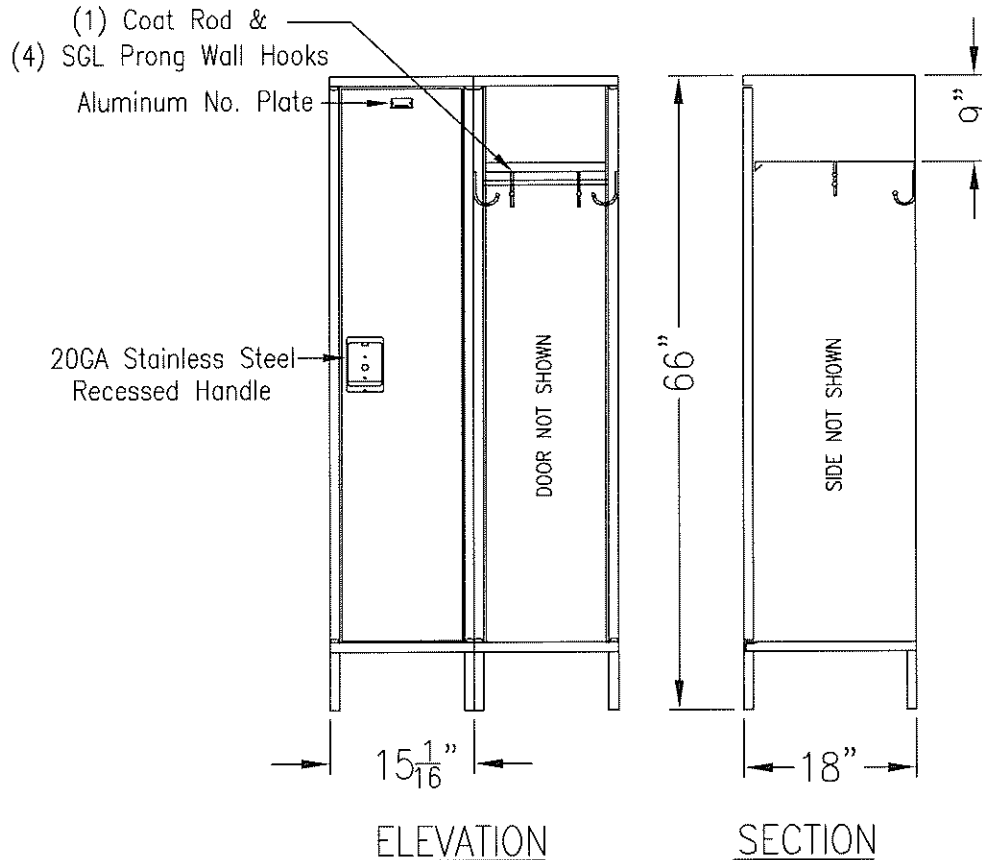
- 24 Gauge Individual Slope Tops
- 4" Zee Base
- 18 Gauge Continuous Slope Hoods
- Base By Other
- 6" Legs

This Drawing Shows A Standard WEC Product. All Drawings  
Are Copyright Protected By WEC Manufacturing. 07/13/11

**WEC**  
MANUFACTURING  
Phone: 901-367-3922  
Fax: 901-367-3923  
Email: sales@itswec.com  
www.itswec.com



# Durable Plus Single Tier Locker 66" High



TYPICAL FOR 15" & 18" WIDE  
TYPICAL FOR 18", 21" & 24" DEEP  
PLEASE ALLOW  $\frac{1}{16}$ " GROWTH PER FRAME

## Standard Construction—Basis Of Design:

(If A Change In Gauge Thickness Is Required Pricing Is Available Upon Request)

Top : 24 Gauge	Door : 14 Gauge
Back : 24 Gauge	Door Frame : 16 Gauge
Side : 24 Gauge	Shelf : 24 Gauge
Bottom : 16 Gauge	

## Door Ventilation Options:

- 6" Louvers, (6) @ Top And (6) @ Bottom
- 5/8" x 1-1/8" High Rectangular Perforations
- 5/8" x 1/4" High Mini Louvers
- Solid
- Sound Dampening Panel

## Door Handle Options:

- 20 Gauge Recessed Handle (MPL)
- 20 Gauge Recessed Handle (SPL)

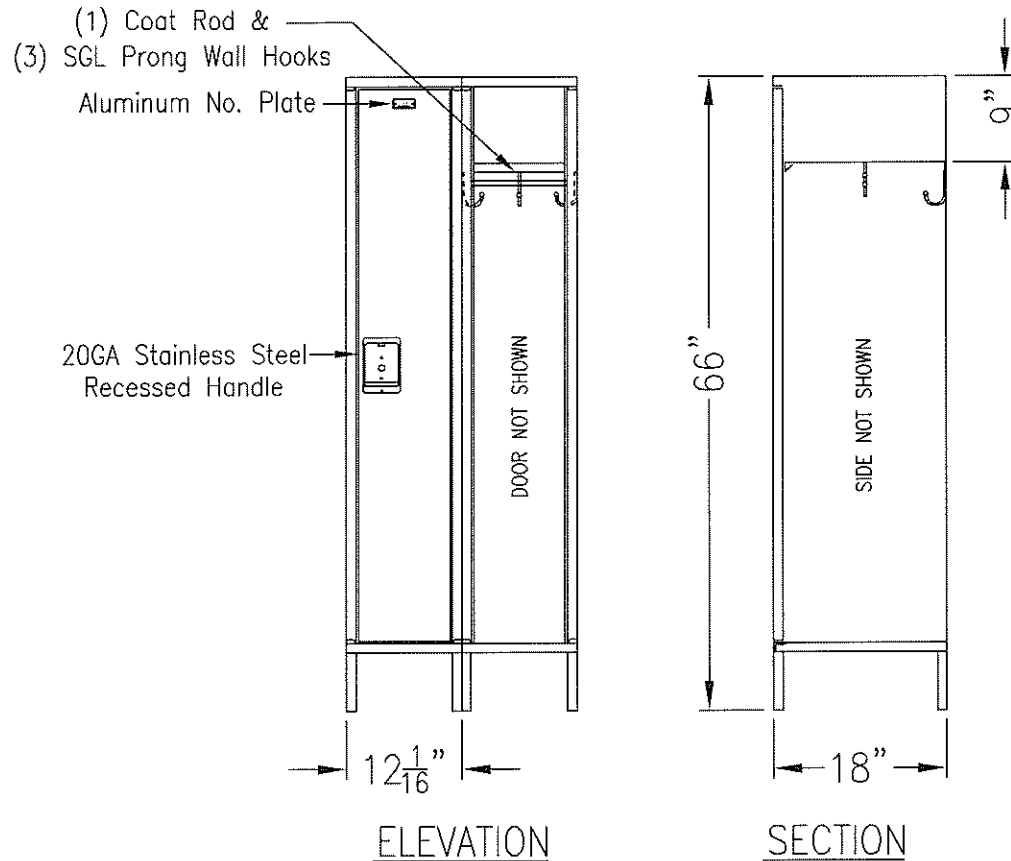
## Locker Accessory Options:

- 24 Gauge Individual Slope Tops
- 4" Zee Base
- 18 Gauge Continuous Slope Hoods
- Base By Other
- 6" Legs

This Drawing Shows A Standard WEC Product. All Drawings  
Are Copyright Protected By WEC Manufacturing. 07/13/11



# Durable Plus Single Tier Locker 66" High



TYPICAL FOR 9" & 12" WIDE  
TYPICAL FOR 18", 21" & 24" DEEP  
PLEASE ALLOW  $\frac{1}{16}$ " GROWTH PER FRAME

## Standard Construction—Basis Of Design:

(If A Change In Gauge Thickness Is Required Pricing Is Available Upon Request)

Top : 24 Gauge	Door : 14 Gauge
Back : 24 Gauge	Door Frame : 16 Gauge
Side : 24 Gauge	Shelf : 24 Gauge
Bottom : 16 Gauge	

## Door Ventilation Options:

- 6" Louvers, (6) @ Top And (6) @ Bottom
- 5/8" x 1-1/8" High Rectangular Perforations
- 5/8" x 1/4" High Mini Louvers
- Solid
- Sound Dampening Panel

## Door Handle Options:

- 20 Gauge Recessed Handle (MPL)
- 20 Gauge Recessed Handle (SPL)

## Locker Accessory Options:

- 24 Gauge Individual Slope Tops
- 4" Zee Base
- 18 Gauge Continuous Slope Hoods
- Base By Other
- 6" Legs

This Drawing Shows A Standard WEC Product. All Drawings Are Copyright Protected By WEC Manufacturing. 07/13/11

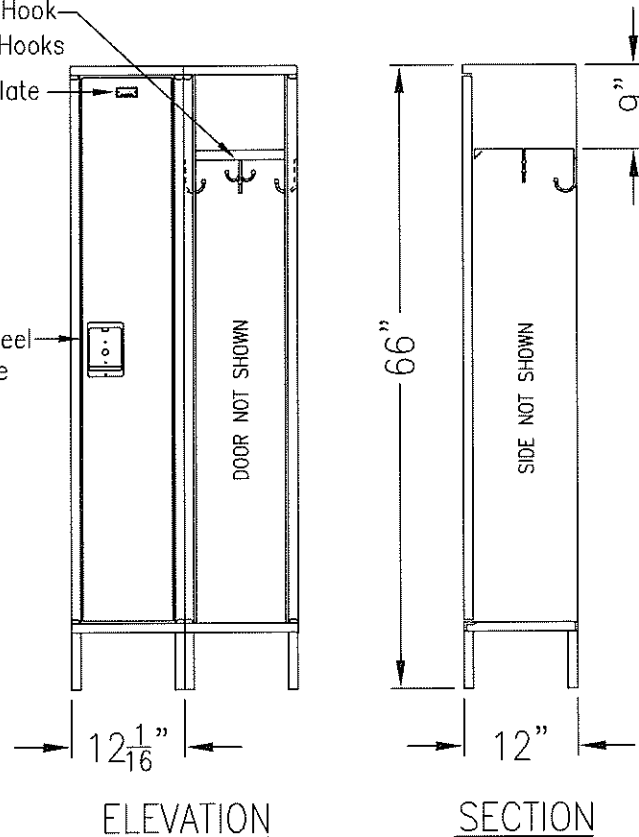


# Durable Plus Single Tier Locker 66" High

(1)DBL Prong Ceiling Hook  
& (3)SGL Prong Wall Hooks

Aluminum No. Plate

20GA Stainless Steel  
Recessed Handle



## Standard Construction—Basis Of Design:

(If A Change In Gauge Thickness Is Required Pricing Is Available Upon Request)

Top : 24 Gauge	Door : 14 Gauge
Back : 24 Gauge	Door Frame : 16 Gauge
Side : 24 Gauge	Shelf : 24 Gauge
Bottom : 16 Gauge	

## Door Ventilation Options:

- 6" Louvers, (6) @ Top And (6) @ Bottom
- 5/8" x 1-1/8" High Rectangular Perforations
- 5/8" x 1/4" High Mini Louvers
- Solid
- Sound Dampening Panel

## Door Handle Options:

- 20 Gauge Recessed Handle (MPL)
- 20 Gauge Recessed Handle (SPL)

## Locker Accessory Options:

- 24 Gauge Individual Slope Tops
- 4" Zee Base
- 18 Gauge Continuous Slope Hoods
- Base By Other
- 6" Legs

TYPICAL FOR 9" & 12" WIDE  
TYPICAL FOR 12" & 15" DEEP  
PLEASE ALLOW 1/16" GROWTH PER FRAME

This Drawing Shows A Standard WEC Product. All Drawings  
Are Copyright Protected By WEC Manufacturing. 07/13/11

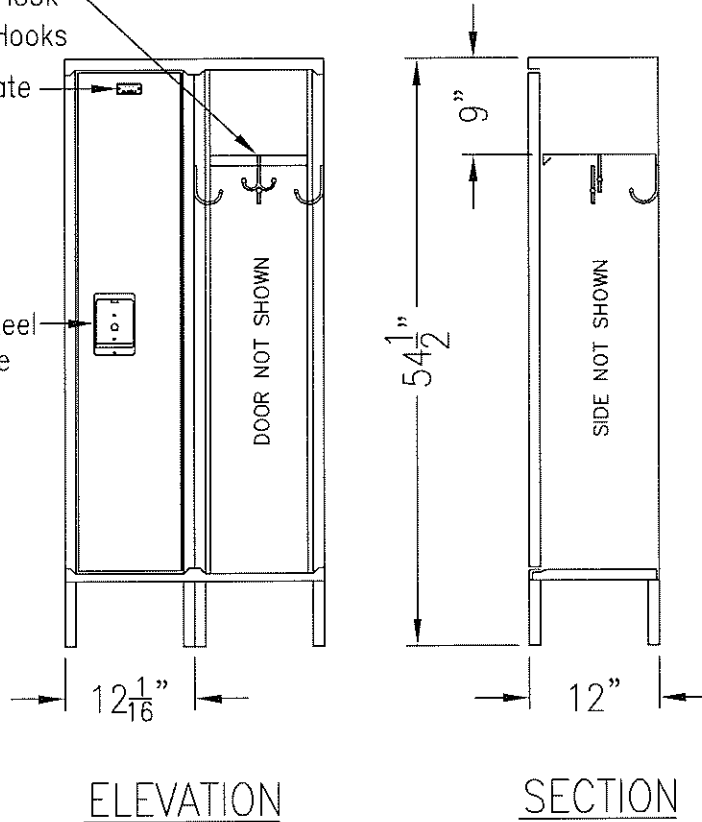


# Durable Plus Single Tier Locker 54-1/2" High

(1)DBL Prong Ceiling Hook  
& (3)SGL Prong Wall Hooks

Aluminum No. Plate

20GA Stainless Steel  
Recessed Handle



ELEVATION

SECTION

TYPICAL FOR 9" & 12" WIDE  
TYPICAL FOR 12" & 15" DEEP  
PLEASE ALLOW  $\frac{1}{16}$ " GROWTH PER FRAME

## Standard Construction—Basis Of Design:

(If A Change In Gauge Thickness Is Required Pricing Is Available Upon Request)

Top : 24 Gauge	Door : 14 Gauge
Back : 24 Gauge	Door Frame : 16 Gauge
Side : 24 Gauge	Shelf : 24 Gauge
Bottom : 16 Gauge	

## Door Ventilation Options:

- 6" Louvers, (6) @ Top And (6) @ Bottom
- 5/8" x 1-1/8" High Rectangular Perforations
- 5/8" x 1/4" High Mini Louvers
- Solid
- Sound Dampening Panel

## Door Handle Options:

- 20 Gauge Recessed Handle (MPL)
- 20 Gauge Recessed Handle (SPL)

## Locker Accessory Options:

- 24 Gauge Individual Slope Tops
- 18 Gauge Continuous Slope Hoods
- 6" Legs
- 4" Zee Base
- Base By Other

This Drawing Shows A Standard WEC Product. All Drawings  
Are Copyright Protected By WEC Manufacturing. 07/13/11

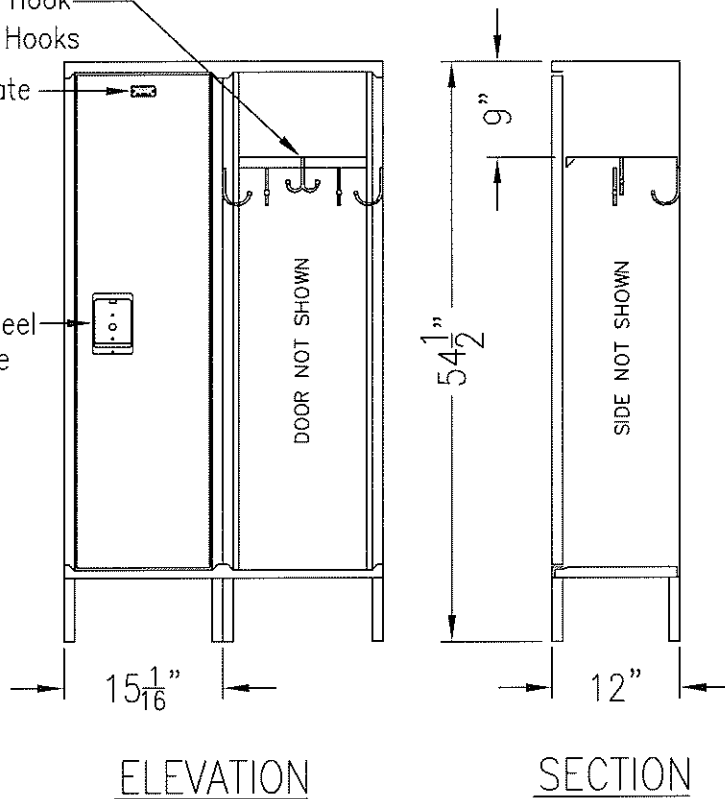


# Durable Plus Single Tier Locker 54-1/2" High

(1)DBL Prong Ceiling Hook  
& (4)SGL Prong Wall Hooks

Aluminum No. Plate

20GA Stainless Steel  
Recessed Handle



TYPICAL FOR 15" & 18" WIDE  
TYPICAL FOR 12" & 15" DEEP  
PLEASE ALLOW  $\frac{1}{16}$ " GROWTH PER FRAME

## Standard Construction—Basis Of Design:

(If A Change In Gauge Thickness Is Required Pricing Is Available Upon Request)

Top : 24 Gauge	Door : 14 Gauge
Back : 24 Gauge	Door Frame : 16 Gauge
Side : 24 Gauge	Shelf : 24 Gauge
Bottom : 16 Gauge	

## Door Ventilation Options:

- 6" Louvers, (6) @ Top And (6) @ Bottom
- 5/8" x 1-1/8" High Rectangular Perforations
- 5/8" x 1/4" High Mini Louvers
- Solid
- Sound Dampening Panel

## Door Handle Options:

- 20 Gauge Recessed Handle (MPL)
- 20 Gauge Recessed Handle (SPL)

## Locker Accessory Options:

- 24 Gauge Individual Slope Tops
- 18 Gauge Continuous Slope Hoods
- 6" Legs
- 4" Zee Base
- Base By Other

This Drawing Shows A Standard WEC Product. Any Modifications  
To The Product Must Be Approved By WEC Engineering. 07/08/10

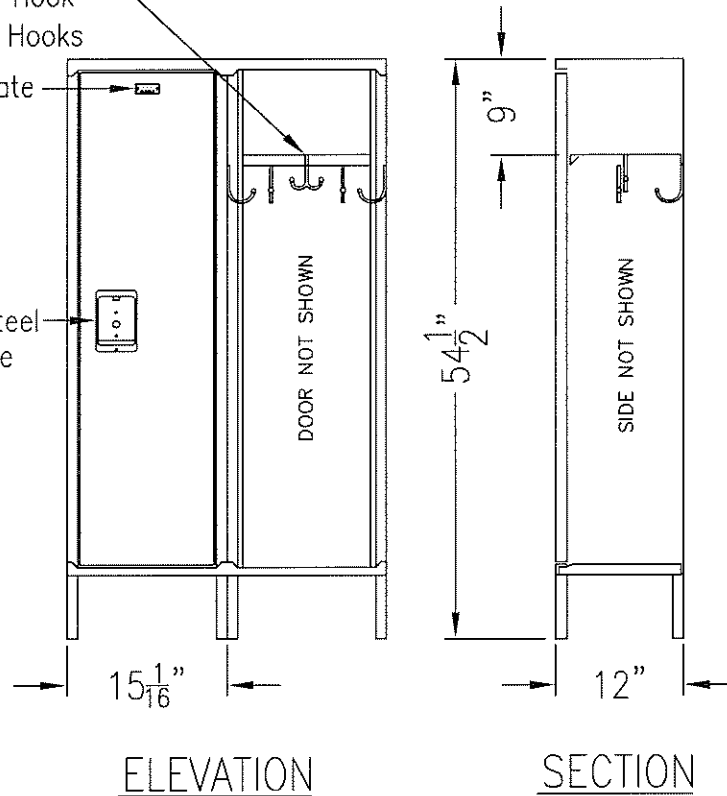


# Durable Plus Single Tier Locker 54-1/2" High

(1)DBL Prong Ceiling Hook  
& (4)SGL Prong Wall Hooks

Aluminum No. Plate

20GA Stainless Steel  
Recessed Handle



ELEVATION

SECTION

TYPICAL FOR 15" & 18" WIDE  
TYPICAL FOR 12" & 15" DEEP  
PLEASE ALLOW  $\frac{1}{16}$ " GROWTH PER FRAME

## Standard Construction—Basis Of Design:

(If A Change In Gauge Thickness Is Required Pricing Is Available Upon Request)

Top : 24 Gauge	Door : 14 Gauge
Back : 24 Gauge	Door Frame : 16 Gauge
Side : 24 Gauge	Shelf : 24 Gauge
Bottom : 16 Gauge	

## Door Ventilation Options:

- 6" Louvers, (6) @ Top And (6) @ Bottom
- 5/8" x 1-1/8" High Rectangular Perforations
- 5/8" x 1/4" High Mini Louvers
- Solid
- Sound Dampening Panel

## Door Handle Options:

- 20 Gauge Recessed Handle (MPL)
- 20 Gauge Recessed Handle (SPL)

## Locker Accessory Options:

- 24 Gauge Individual Slope Tops
- 18 Gauge Continuous Slope Hoods
- 6" Legs
- 4" Zee Base
- Base By Other

This Drawing Shows A Standard WEC Product. All Drawings  
Are Copyright Protected By WEC Manufacturing. 07/13/11

