

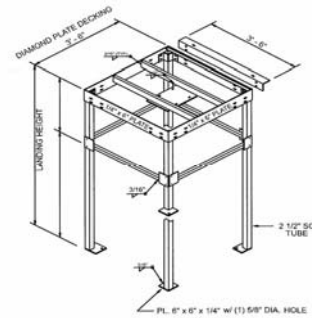
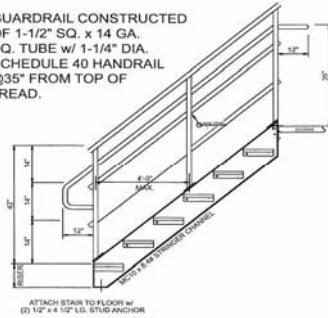
WEC

WHOLESALE EQUIPMENT COMPANY

5355 DISTRIPLEX FARMS DRIVE
 MEMPHIS, TN. 38141
 PHONE: 901.366.5767 FAX: 901.366.0093
<http://www.itswec.com>



GUARDRAIL CONSTRUCTED OF 1-1/2" SQ. x 14 GA. SQ. TUBE w/ 1-1/4" DIA. SCHEDULE 40 HANDRAIL @35° FROM TOP OF TREAD.



Stairway Features

- Heavy duty MC10 structural side frame
- Durable powder coat paint finish
- Welded inner handrail for I.B.C. Compliance
- Welded handrail construction

IBC CODE STAIRS					
Tread is 11" deep w/ 7" rise		36" wide closed treads w/closed risers		Includes internal stair handrails	
Deck Ht.-FT.	Deck Ht.-IN.	Model No.	Treads	Weight	Overall Run
1-9-1/2" to 2'-4"	21-1/2" to 28"	IBC-SW-03-36	3	288 lbs.	2'-10-1/2"
2'-4-1/2" to 2'-11"	28-1/2" to 35"	IBC-SW-04-36	4	380 lbs.	3'-9-1/2"
2'-11-1/2" to 3'-6"	35-1/2" to 42"	IBC-SW-05-36	5	447 lbs.	4'-8-1/2"
3'-6-1/2" to 4'-1"	42-1/2" to 49"	IBC-SW-06-36	6	514 lbs.	5'-7-1/2"
4'-1-1/2" to 4'-8"	49-1/2" to 56"	IBC-SW-07-36	7	580 lbs.	6'-6-1/2"
4'-8-1/2" to 5'-3"	56-1/2" to 63"	IBC-SW-08-36	8	664 lbs.	7'-5-1/2"
5'-3-1/2" to 5'-10"	63-1/2" to 70"	IBC-SW-09-36	9	731 lbs.	8'-4-1/2"
5'-10-1/2" to 6'-5"	70-1/2" to 77"	IBC-SW-10-36	10	806 lbs.	9'-3-1/2"
6'-5-1/2" to 7'-0"	77-1/2" to 84"	IBC-SW-11-36	11	873 lbs.	10'-2-1/2"
7'-0-1/2" to 7'-7"	84-1/2" to 91"	IBC-SW-12-36	12	955 lbs.	11'-1-1/2"
7'-7-1/2" to 8'-2"	91-1/2" to 98"	IBC-SW-13-36	13	1031 lbs.	12'-0-1/2"
8'-2-1/2" to 8'-9"	98-1/2" to 105"	IBC-SW-14-36	14	1097 lbs.	12'-11-1/2"
8'-9-1/2" to 9'-4"	105-1/2" to 112"	IBC-SW-15-36	15	1173 lbs.	13'-10-1/2"
9'-4-1/2" to 9'-11"	112-1/2" to 119"	IBC-SW-16-36	16	1257 lbs.	14'-9-1/2"
9'-11-1/2" to 10'-6"	119-1/2" to 126"	IBC-SW-17-36	17	1333 lbs.	15'-8-1/2"
10'-6-1/2" to 11'-1"	126-1/2" to 133"	IBC-SW-18-36	18	1399 lbs.	16'-7-1/2"
11'-1-1/2" to 11'-8"	133-1/2" to 140"	IBC-SW-19-39	19	1483 lbs.	17'-6-1/2"
11'-8-1/2" to 12'-3"	140-1/2" to 147"	IBC-SW-20-36*	20	1558 lbs.	18'-5-1/2"

Need A Quote
<http://www.itswec.com>