

WEC

WHOLESALE EQUIPMENT COMPANY

5355 DISTRIPLEX FARMS DRIVE
MEMPHIS, TN. 38141

PHONE: 901.366.5767 FAX: 901.366.0093
<http://www.itswec.com>

1652 Series Built-in Combination Lock for Single Point Horizontal Latch Lockers



The 1652 Series offers the longest fully retractable bolt in the industry with the convenience of an automatic locking spring bolt.



EXCLUSIVE FEATURES

- Easy grip-and-pull, non-slip dial for one-handed operation
- High security with the longest bolt in the industry
- Full bolt retraction eliminates lockouts
- Springbolt action for convenient, automatic locking

Built-in Combination Lock Advantages

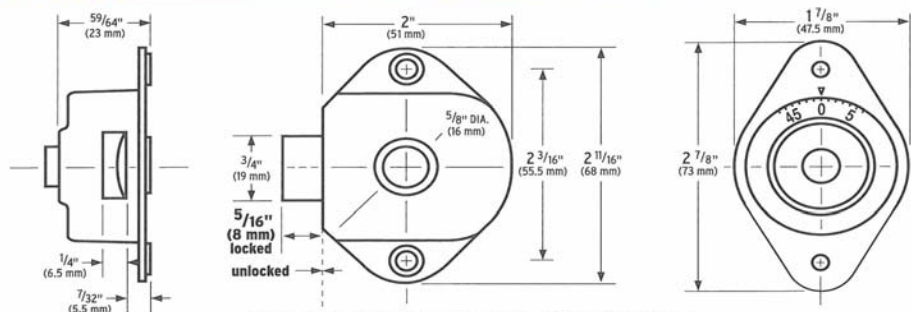
- Concealed mounting and rugged steel case deter vandalism
- Secure, three number combination is easy to dial
- Longer useful life with five different combinations – easily changed with the touch of a button, which maintains security for new students or employees
- Standard key control allows quick supervisory access
- End user registration and control charts provided to secure and simplify administration

Product Options

- Metal dial available to deter vandalism; order number 1652MD, 1653MD
- Brass escutcheon plate available to add an elegant appearance to wood locker doors; order number 1652BE or 1653BE
- Extension set available for doors with a thickness of 11/16" (17mm) to 3/4" (19mm); order number 1654-0320
- Model 1653 is available for left-handed doors
- Customize with a color – five colors to choose from.



DIMENSIONS



SPECIFICATIONS

Architectural Specifications: Locks shall be built-in combination lock with horizontally operating spring bolt. Locks shall have textured, lipped dial design for easy-grip-and-pull operation. Locks shall have 5-pin tumbler cylinder for supervisory access. Locks shall have five (5) preset combinations. Locks shall have random combination change pattern; no sequentially adjacent locks shall have the same combination change pattern. Locks shall be supplied with printed Control Chart of serial numbers and combinations and text file on disc. Master Lock #1652 for lockers hinged on right. Master Lock #1653 for lockers hinged on left. For optional metal, easy-grip-and-pull dial with non-slip finish specify Master Lock #1652MD or #1653MD.